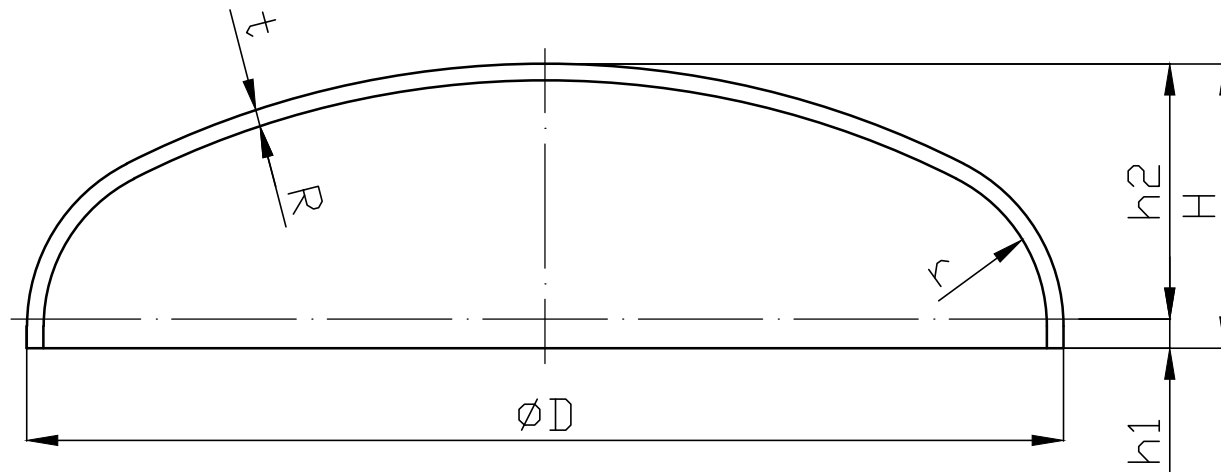


ASME 2:1 ELLIPSOIDAL HEADS



$$\begin{aligned} D(\text{mm}) &= ID + 2t \\ R(\text{mm}) &= 0,9ID \\ r(\text{mm}) &= 0,17ID \\ h_1(\text{mm}) &\geq 3,5t \\ h_2(\text{mm}) &= 0,25ID \\ H(\text{mm}) &= h_1 + h_2 \end{aligned}$$